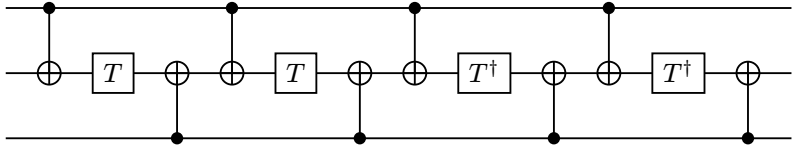
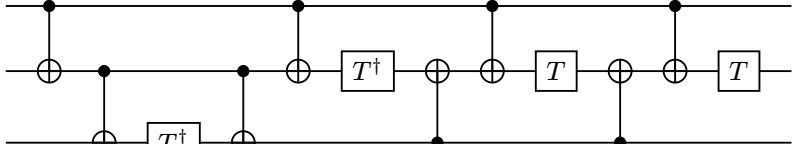
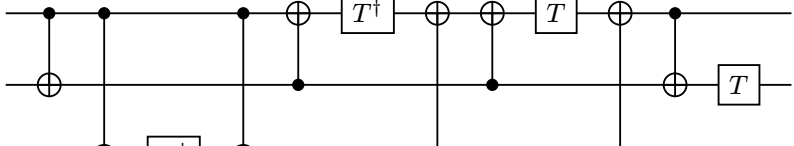
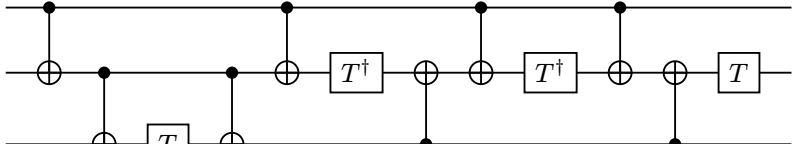
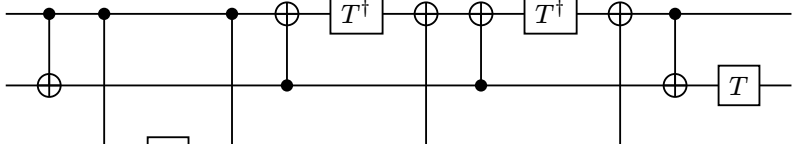
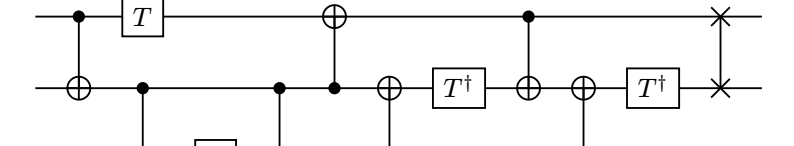
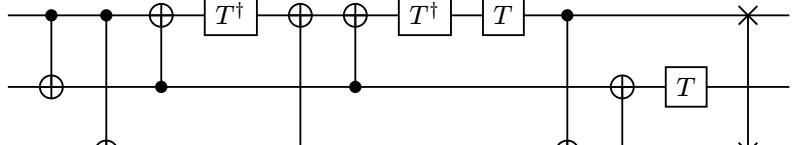
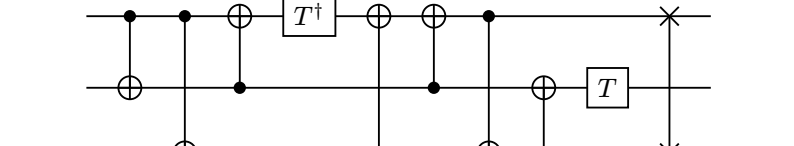
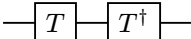
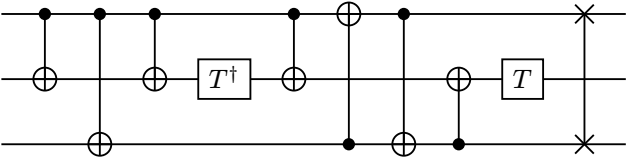
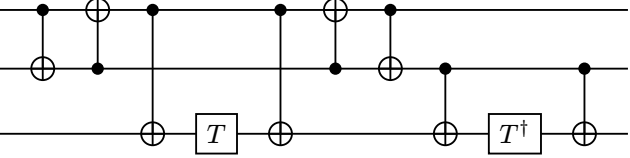
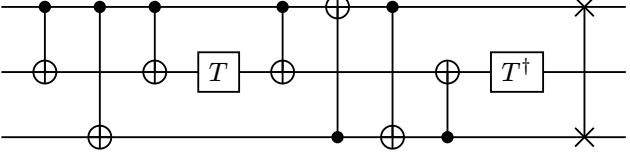
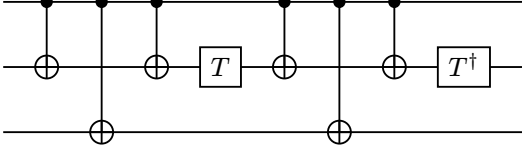
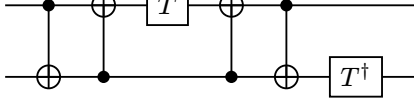
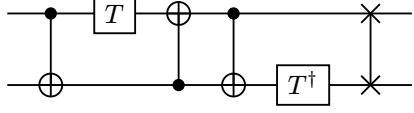
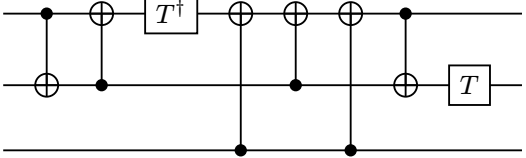
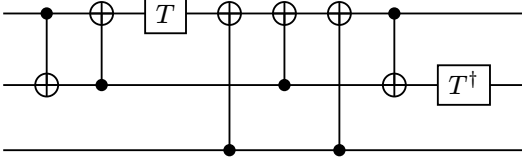


| Rule | Circuit |
|----------------------|--|
| 0 \leftarrow 1, 26 |  |
| 1 \leftarrow 2, 23 |  |
| 2 \leftarrow 3, 25 |  |
| 3 \leftarrow 4, 25 |  |
| 4 \leftarrow 5, 19 |  |
| 5 \leftarrow 6, 11 |  |
| 6 \leftarrow 7, 18 |  |
| 7 \leftarrow 8, 15 |  |

| | |
|-------------|--|
| 8 ← 9, 14 | |
| 9 ← 10, 13 | |
| 10 ← 11, 12 | |
| 11 ← ASSUME | |
| 12 ← ASSUME | |
| 13 ← ASSUME | |
| 14 ← 13, 12 | |
| 15 ← 16, 11 | |
| 16 ← 10, 17 | |
| 17 ← ASSUME | |

| | |
|-------------|--|
| 18 ← ASSUME |  |
| 19 ← 20, 12 |  |
| 20 ← 21, 12 |  |
| 21 ← 22, 12 |  |
| 22 ← 8, 23 |  |
| 23 ← 24, 12 |  |
| 24 ← 11, 12 |  |
| 25 ← 16, 12 |  |
| 26 ← 27, 12 |  |

27 ← 24, 17

